



Requirements for LLRF Control

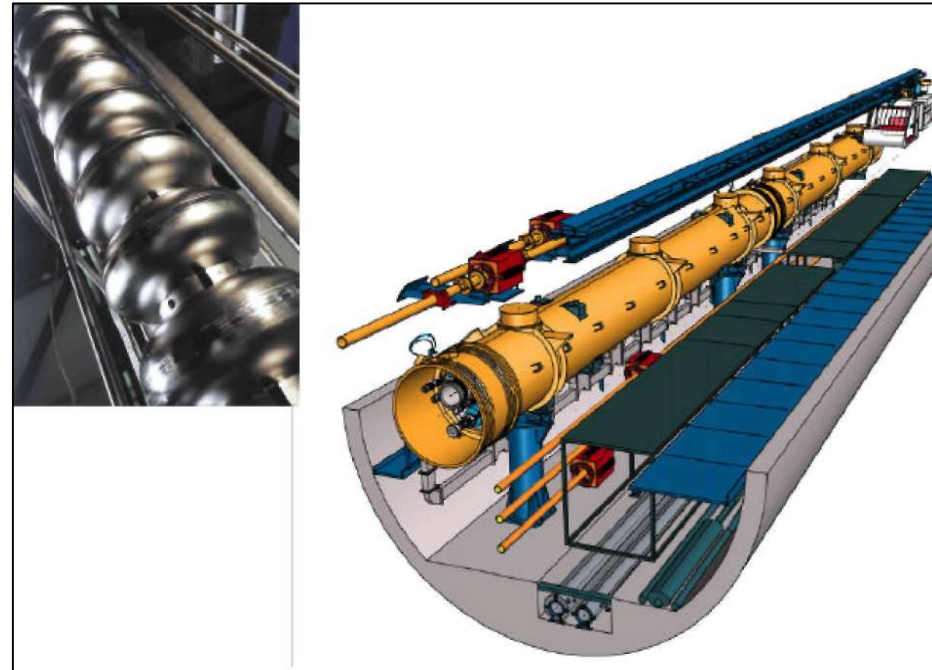
LLRF Lecture Part 1
S. Simrock, Z. Geng
ITER / SLAC



Requirements for ILC

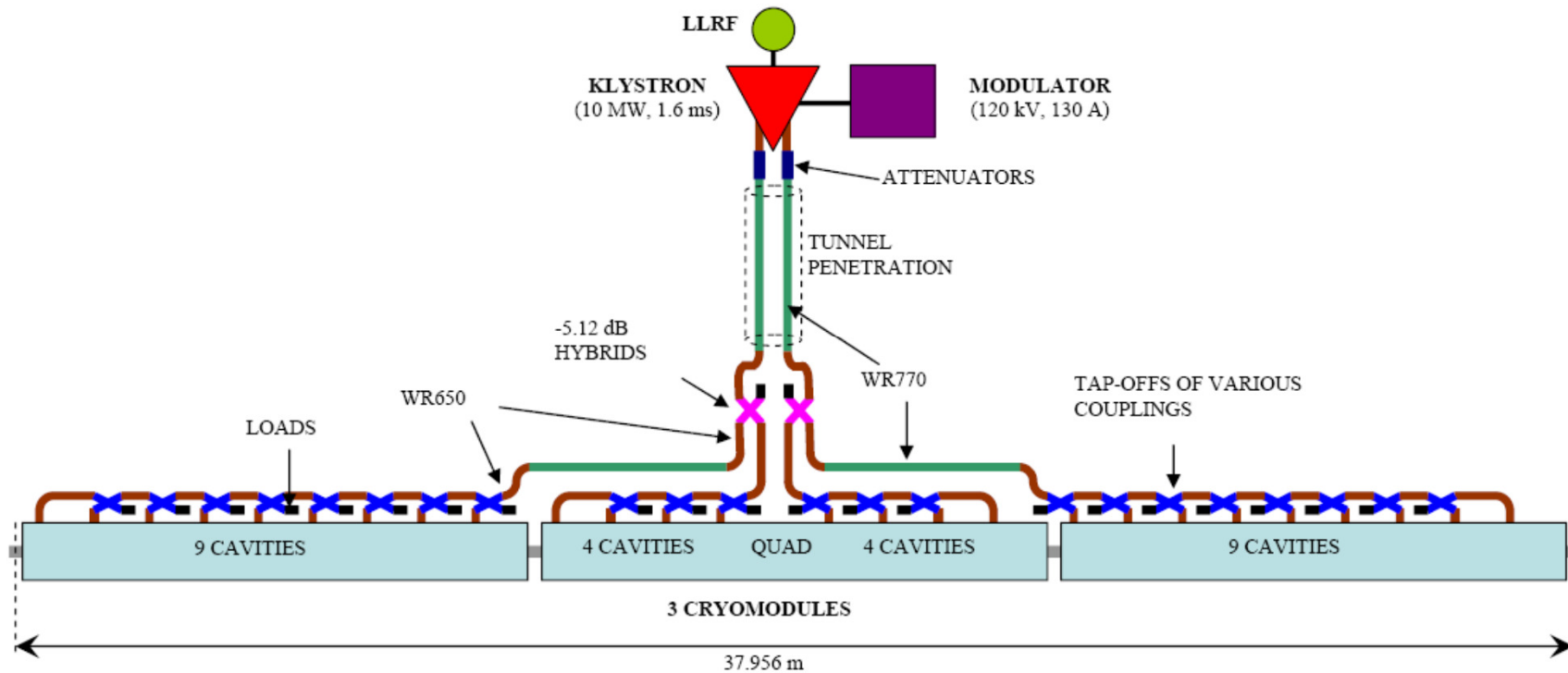


RF Systems for ILC



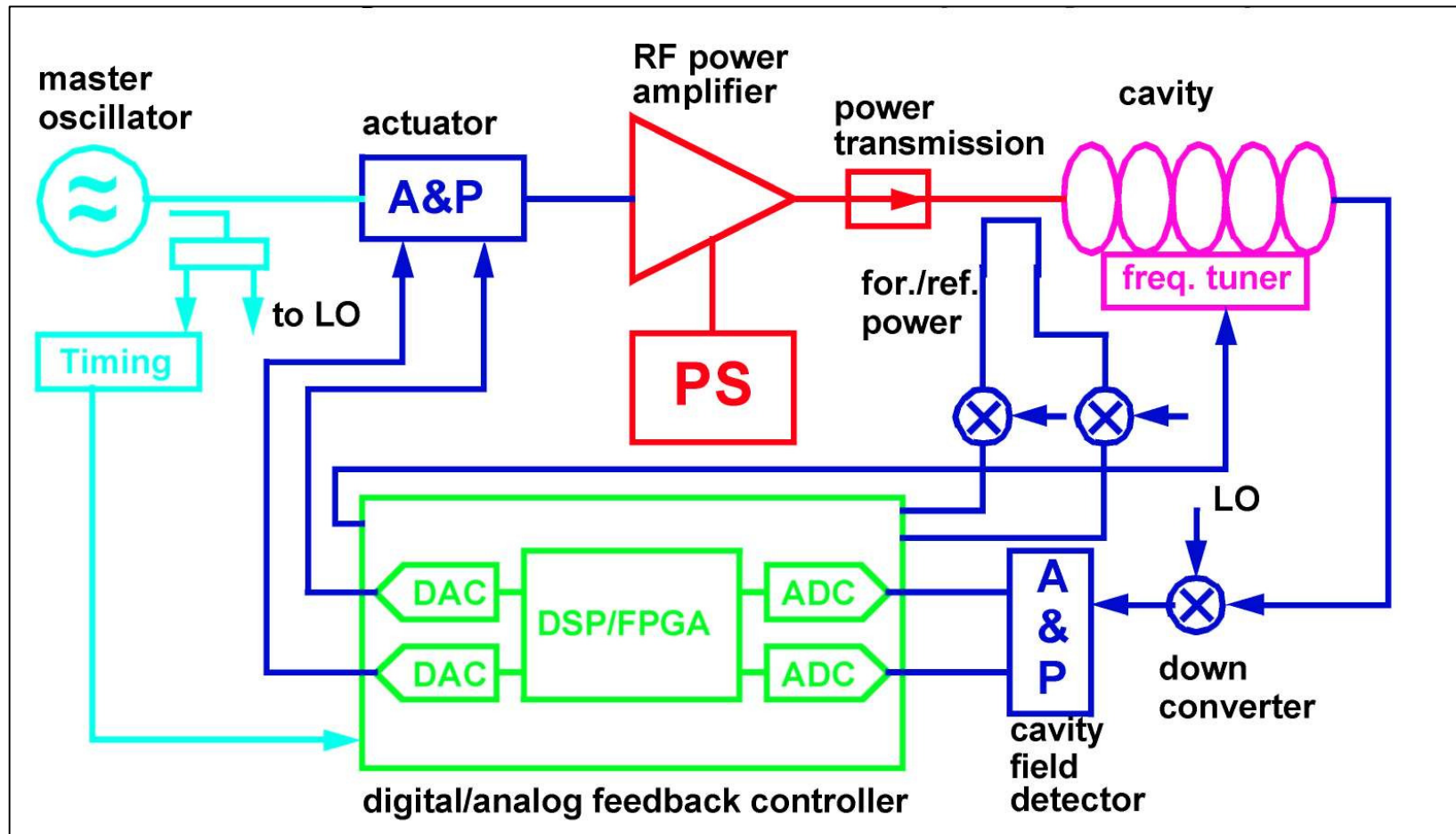


RF Station at Main Linac





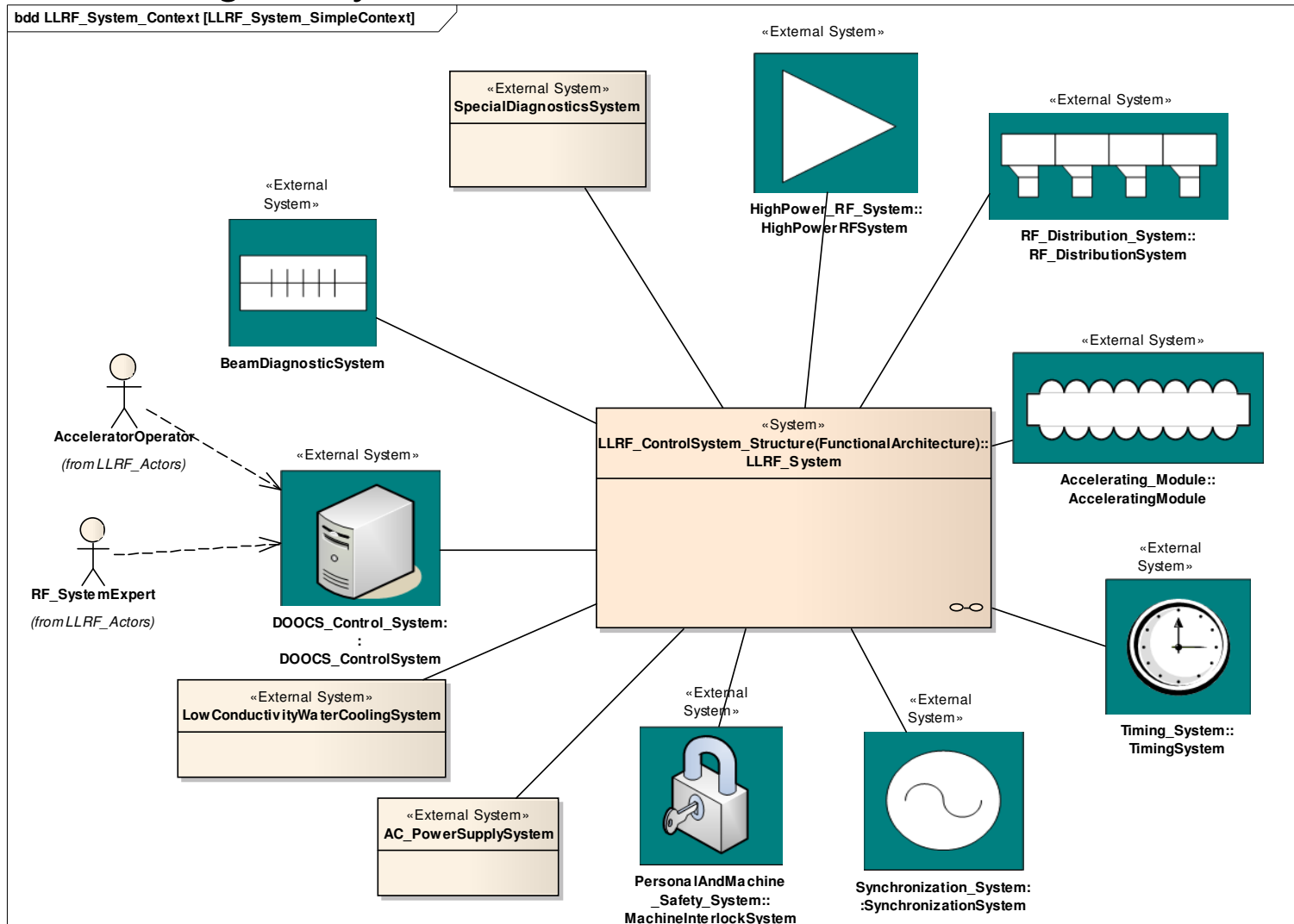
RF System Architecture





LLRF System Context

- Interacting subsystems and actors to LLRF





Scope of Main Linac RF

total number of klystrons / cavities per linac	~ 280/ 7,280
per rf station (klystron):	
# cavities / 10 MW klystron	~ 26
# of precision vector receivers (probe, forward, reflected power, reference line, beam)	~78
# piezo actuator drivers / motor tuners	~ 26/26
# waveguide tuner motor controllers	~ 26
# vector-modulators for klystron drive	1
Total # of meas. /control channels per linac	~22,000 / ~22,000



LLRF System Requirements Overview

- Maintain **Phase** and **Amplitude** of the accelerating field within given tolerances
 - up to 0.07% for amplitude and 0.24 deg. for phase
- Minimize **Power** needed for control
- RF system must be **reproducible**, **reliable**, **operable**, and **well understood**.
- Other performance goals
 - **build-in diagnostics** for calibration of gradient and phase, cavity detuning, etc.
 - provide **exception handling** capabilities
 - meet performance goals over wide range of operating parameters



LLRF System Requirements – Field Stability

- Derived from beam properties
 - energy spread
 - Emittance
 - bunch length (bunch compressor)
 - arrival time
- Different accelerators have different requirements on field stability (approximate RMS requirements)
 - 1% for amplitude and 1 deg. for phase (example: SNS)
 - 0.1% for amplitude and 0.1deg.for phase (linear collider)
 - up to 0.01% for amplitude and 0.01 deg. for phase (XFEL)
- Note: Distinguish between correlated and uncorrelated errors



Field Stability Requirements for Main Linac

TABLE 3.9-1

Summary of tolerances for phase and amplitude control. These tolerances limit the average luminosity loss to $<2\%$ and limit the increase in RMS center-of-mass energy spread to $<10\%$ of the nominal energy spread.

Location	Phase (degree)		Amplitude (%)		limitation
	correlated	uncorr.	correlated	uncorr.	
Bunch Compressor	0.24	0.48	0.5	1.6	timing stability at IP (luminosity)
Main Linac	0.35	5.6	0.07	1.05	energy stability $\leq 0.1\%$

- Field stability requirements (@ ML and BC) are $< 0.24\text{deg.}$ for phase and 0.07% for amplitude
- In order to satisfy these requirements, feedback (FB) with proper feed forward (FF) control will be carried out.



Functional Requirements

- Measurements
 - Signals
 - Conditions
 - Components characterization
- Control actions
- Diagnostics
- Generate events
- Exception detection and handling
- Automation (of operational procedures)
- ...



Non-Functional Requirements

- Reliability
 - not more than 1 LLRF system failure / week
 - minimize LLRF induced accelerator downtime
 - Redundancy of LLRF components
 - ...
- Operability
 - “One Button” operation (State Machine)
 - Momentum Management system
 - Automated calibration of vector-sum
 - ...
- Reproducibility
 - Restore beam parameters after shutdown or interlock trip
 - Recover LLRF state after maintenance work
 - ...



Non-Functional Requirements (C'tnd)

- Maintainability
 - Remote diagnostics of subsystem failure
 - “Hot Swap” Capability
 - Accessible Hardware
 - ...
- Well Understood
 - Performance limitations of LLRF fully modelled
 - No unexpected “features”
 - ...
- Meet (technical) performance goals
 - Maintain accelerating fields - defined as vector-sum of 26 cavities - within given tolerances
 - Minimize peak power requirements
 - ...



Summary

In this part, we have learnt:

- The basic ILC requirements
- The RF system architecture and LLRF context
- LLRF functional and non-functional requirements



Reference

- [1] ILC_RDR_Volume_3 – Accelerator
- [2] The ISO/IEC 9126 Standard for the evaluation of software quality
- [3] Tim Weilkiens. Systems Engineering With SysML/UML: Modeling, Analysis, Design. Elsevier Science & Technology Books, 2008